

A105N Appello

Speech & Tone alarm sounder

The A105N Tone Appello is a voice alarm sounder capable of storing up to 16 seconds of user recordable speech. The sounder records, stores and plays back user defined messages stored directly to non-volatile memory without any intermediate analogue to digital conversion.

Low current consumption and high sound output in a robust fire retardant IP66 housing ensure the A105N Tone Appello is suitable for all general signalling applications including fire, security and process control.

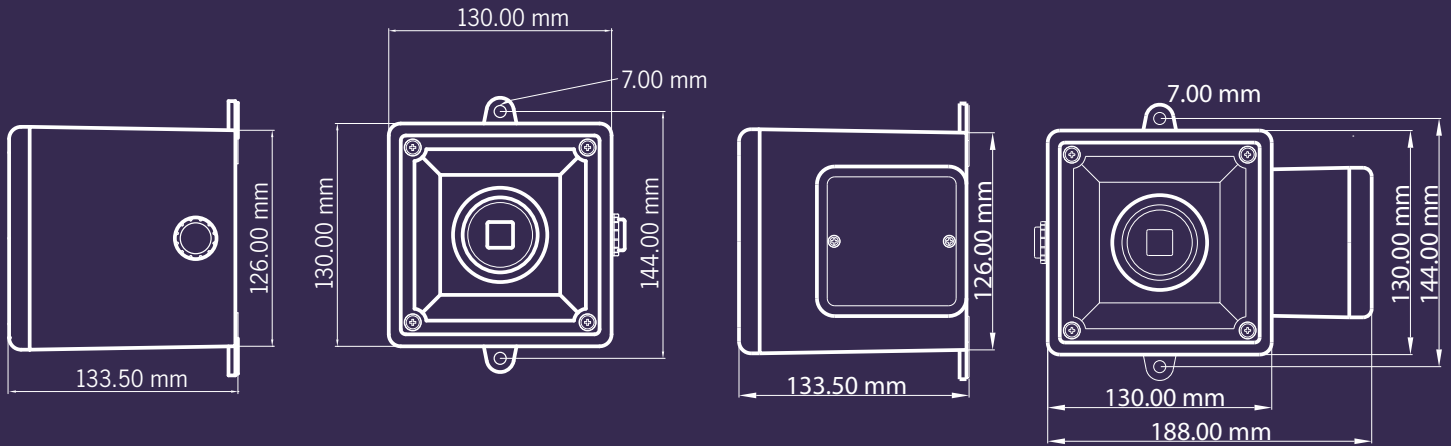
Features:

- Direct message storage on silicon: 16s of speech
- Very high voice reproduction quality - mylar speaker
- Message length: 1 x 16 seconds or 2 x 8 seconds.
- Easy message creation with built in microphone.
- Edits automatically to message length.
- DC versions have reverse polarity diode protection.
- Unit can be mounted using external lugs or internal BESA compatible fixing positions.
- Duplicate cable terminations (in & out for daisy-chain installations).
- Tropicalisation available on request.
- Volume control & tone duration control.
- Available with custom tone configurations and frequencies.

Part codes:

Version:	Part code:
12V dc	A105NAPPTDC12[x]
24V dc	A105NAPPTDC24[x]
115V ac	A105NAPPTAC115[x]
230V ac	A105NAPPTAC230[x]
[x] = Housing colour:	G: Grey R: Red W: White



**Specification:**

Maximum output:	107dB(A) @ 1 metre
Nominal output:	100dB(A) @ 1m +/- 3dB -(Voice content)
No. of tones:	10 (UKOOA/PFEER compliant)
No. of messages:	2 (total of 16 seconds)
Volume control:	Max. 107dB(A); Min. 95dB(A) (Tone content)
Effective range:	60m @ 1KHz
Voltages DC:	12vdc (9-15vdc); 24vdc (18-30vdc)
Voltages AC:	115vac; 230vac
Ingress protection:	IP66
Rating:	Continuous
Housing material:	UL94V0 & 5VA FR ABS
Housing colour:	RAL3000 Red, RAL7038 Grey and White
Fixings:	Stainless Steel
Cable entries:	2 x M20 clearance gland entries. Custom configurations also available.
Terminals:	0.5 to 1.5mm ²
Operating temp:	-25° to +55°C
Storage temp:	-40° to +70°C
Relative humidity:	90% at 20°C
Weight :	DC: 0.80kg AC: 1.10kg

Appello alarm sander:

Version:	Voltage range:	Current mA:
12V dc	9-15V dc	150mA*
24V dc	18-30V dc	180mA*
115V ac	50/60Hz +/--10%	40mA
230V ac	50/60Hz +/--10%	20mA

* current at nominal voltage on Tone 1

Tone table:

Frequency	Description	Cycles
Tone 1	800/1000Hz @ 0.25 sec Alternating - BS5839 Alarm tone	4 cycles
Tone 2	500/1200Hz @ 0.3Hz 0.5 sec Slow Whoop - NEN 2575:2000	2 cycles
Tone 3	1200/500Hz @ 1Hz - DIN / PFEER P.T.A.P.	4 cycles
Tone 4	544Hz (100mS)/440Hz (400mS) - AFNOR NF S 32-001	4 cycles
Tone 5	1000Hz Continuous - PFEER Toxic gas	2 cycles
Tone 6	Bell	2 cycles
Tone 7	1KHz 1s on, 1s off Intermittent - PFEER Gen. Alarm	3 cycles
Tone 8	420Hz @ 0.625 sec Australian Alert	4 cycles
Tone 9	500-1200Hz 3.75sec /0.25sec. Australian Evac.	2 cycles
Tone 10	No tone - 0.5 second gap	