



TVD-M1245E-2M-P

1.3 MPX HD Outdoor IR Dome Camera, 2.7-9.0 mm, PAL

Overview

The TVD-M1245E-2M-P is an IP HD outdoor IR dome camera, designed to perform in a wide range of lighting conditions. Its built in IR LEDs provide illumination up to 30 meters to ensure qualitative images – even in low light environments. The camera's Wide Dynamic Range feature ensures that qualitative images are obtained, even in challenging backlight scenes. The camera features a built-in motorized zoom lens with autofocus feature, a built in heater as well as compliancy with the ONVIF and PSIA open standards.

Ease of Use

The camera's motorized zoom lens and autofocus feature make it particularly easy for installers and users to operate this camera. All that needs to be done is mount the camera and point the lens in the right direction. Using the camera's web browser, you simply determine the field of view by adjusting the zoom factor, after which you activate the auto focus feature to create a crisp image. Using this feature, losing time while tweaking the camera is a thing of the past!

IP technology

TruVision cameras utilize H.264 compression with dual-streaming capability, making it easy to manage the camera's bandwidth usage. These cameras were designed to adhere to PSIA and ONVIF open communication standards, and also support a CGI command set for simple integration into any IP system. Video streams can be set for high and low bandwidth and images can be streamed for live viewing or sent to a designated recording location.



Standard Features

- IR dome camera
- Real time HD720p resolution
- Maximum resolution HD960p
- H.264 with dual streaming functionality
- Edge recording up to 32GB micro SD card
- 1/3" CMOS Progressive Scan
- Motorized IR cut filter
- Wide Dynamic Range
- 0 Lux (IR on)
- 30m IR illumination
- Motorized zoom lens
- Auto focus feature
- Designed to ONVIF and PSIA open standards
- Vandal-Resistant (IK10)

TVD-M1245E-2M-P

1.3 MPX HD Outdoor IR Dome Camera, 2.7-9.0 mm, PAL

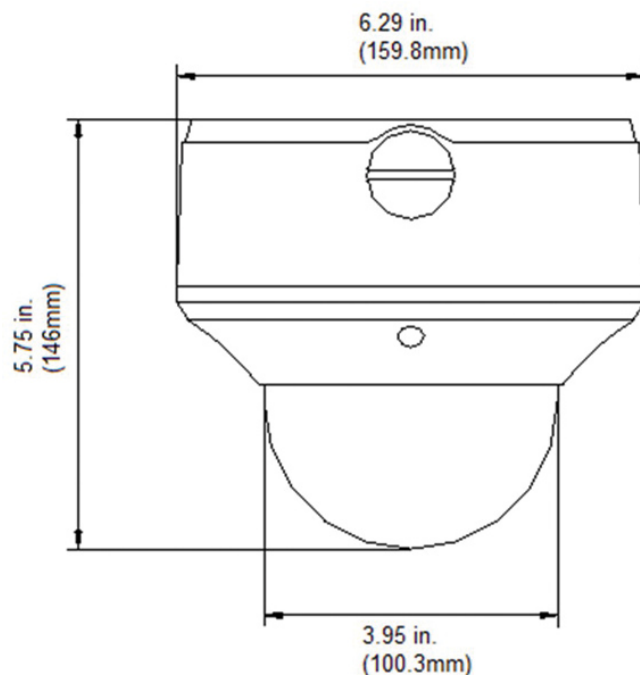
Specifications

Camera	
Sensor Size:	1/3"
SD / MPX:	MPX
Sensor scan:	Progressive Scan
Sensor type:	CMOS
IP Compression/Standard:	H.264/MPEG4/MJPEG
Available Resolutions:	(main)XVGA/720P/VGA (sub)QVGA/CIF
Maximum Resolution(@ FPS):	1280 × 960 (25fps)
Maximum Real Time Resolution:	1280 × 960
HD 720p:	Yes
Composite Output (BNC):	Yes
Digital S/N ratio:	68.3dB
Electronic shutter:	1/25 s to 1/100,000 s
Certification:	UL, CE, FCC
Lighting performance	
Wide Dynamic Range:	Yes
WDR in dB:	120dB
Digital noise reduction:	3D
Day/Night:	True Day/Night
Motorized IR Cut Filter:	Yes
Color sensitivity:	0.01Lux @(F1.2,AGC ON)
B/W sensitivity:	0.01Lux @(F1.2,AGC ON)
IR sensitivity:	0 Lux with IR
IR Range:	Approx. 20 to 30 meters
IR Wavelength:	850nm
B/W trigger:	3Lux
IR trigger:	3Lux
Housing	
Camera type:	IR Dome
IP rating:	IP66
Outdoor:	Yes
Rugged:	Yes
Vandal proof:	Yes (IK10)
Lens	
Mount type:	N/A
Control type:	Motorized
Optical zoom:	Yes
Focal length:	2.7 – 9 mm @ F1.6
F-stop:	N/A
Autoiris:	DC drive
Varifocal:	Yes
Zoom lens:	3.33
Autofocus:	Yes
Power consumption	
PSU included:	No
Voltage Input:	24 VAC
Current:	N/A
Power Consumption:	Max. 24W
PoE:	High PoE (802.3at)
Network	
ONVIF:	Yes
PSIA:	Yes
CGI:	Yes
Network Protocols:	TCP/IP, HTTP, DHCP, DNS, DDNS, RTP,RTSP, PPPoE, SMTP, NTP
LocalStorage	
Media:	Built-in Micro SD
Capacity:	32 GB
CameraAnalytics	
Motion Detection:	Yes
Privacy Masking:	Yes
Mechanical/ Environmental	

Dimensions:	159.8 × 146 mm (6.29" × 5.75")
Weight:	2100 g (3.09 lbs)
Operating Temperature:	-40 °C – 60 °C (-40 °F – 140 °F) with heater on

Ordering Information

Part No.	Description
TVD-M1245E-2M-P	1.3 MPX HD Outdoor IR Dome Camera, 2.7-9.0 mm, PAL
TVD-M1245E-2M-N	1.3 MPX HD Outdoor IR Dome Camera, 2.7-9.0 mm, NTSC



As a company of innovation, UTC Fire & Security reserves the right to change product specifications without notice. For the latest product specifications, visit UTC Fire & Security online or contact your sales representative.
TVD-M1245E-2M-P-2015-02-11 09:13:17 Released :13-MAY-13



UTC Fire & Security
A United Technologies Company

COMSEC PROTECTION SYSTEMS LTD.
UNIT 26, STADIUM BUSINESS PARK, • BALLYCOOLIN ROAD, • DUBLIN 11
PHONE: (01) 8853008 • FAX: (01) 8853007
EMAIL: info@comsec.ie • WEB: http://www.comsec.ie