

## D1xL1F PA Loudspeakers 15W



The D1xL1F is a 15W PA loudspeaker with re-entrant flare horn. A high SPL in a robust Type 4/4X, IP66 marine grade, corrosion proof aluminium enclosure ensures the D1xL1F is suitable for all Class I & II Division 1 & Zone 1 & 20 explosion proof applications.

The re-entrant flare horn is high impact, fire retardant ABS and is field replaceable - the driver employs a standard 1 3/8" -18 male thread coupling. All models have triple cable entries, and large termination areas. The termination chamber and cover feature a threaded flameproof joint simplifying both installation and routine maintenance.

### Features

- High output
- Compact form factor
- Multiple transformer tapings
- Field replaceable flare component
- Robust corrosion proof aluminium enclosure
- Ratchet adjustable stainless steel bracket
- Stainless steel fixings
- Triple cable entries
- Duplicate cable terminations
- Threaded cover joint for fast installation

### Approvals

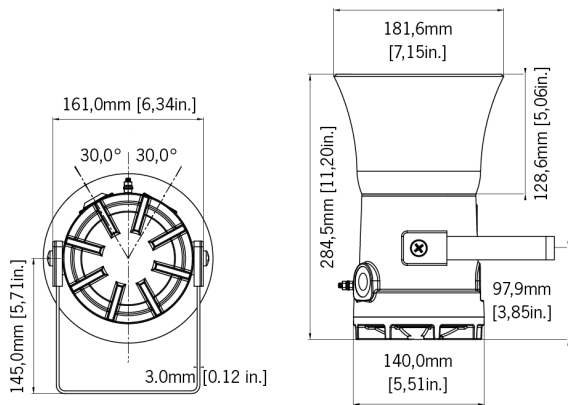
- UL File ref: E230764  
UL1203 Ed. 5  
CAN/CSA C22.2 No. 25-1966  
CSA C22.2 No. 30-M1986  
CSA C22.2 No. 205-12  
UL1480 Ed. 6  
Commercial and professional use

### Coding

- A1: Gas version  
NEC / CEC:  
Class I Div 1 ABCD T6 Ta -40°C to +70°C  
Class I Div 2 ABCD T6 Ta -40°C to +70°C  
Class I Zone 1, 2 IIC T6 Ta -40°C to +70°C
- D1: Dust version  
NEC / CEC:  
Class II Div 1 FG T6 Ta -40°C to +70°C  
Class II Div 2 FG T6 Ta -40°C to +70°C  
Class III Div 1 & 2  
Zone 20, 21, 22 IIIB Ta -40°C to +70°C



# Comsec Protection Systems



## Specification

SPL (Gas version):	102dB +/-3dB @ 1W @ 1m (Pink) 113dB +/-3dB @ 15W @ 1m (Rated)
SPL (Dust version):	83dB +/-3dB @ 1W @ 1m (Pink) 95dB +/-3dB @ 15W @ 1m (Rated)
Rated power:	15 Watts RMS
70v line tappings:	15W/7.5W/3W/1W (z=336.67 Ohms/653.33 Ohms/1.6k Ohms/4.9k Ohms)
Low impedance:	8 Ohm or 16 Ohm
Directivity Index:	6.2 @ 1kHz & 16.0 @ 4kHz [dB on-axis]
Frequency range:	400Hz to 8000 Hz
DC Line monitoring:	2.2µF Capacitor (Transformer ) 470µF Capacitor (Low impedance)
Ingress protection:	EN60529: IP66 UL50E / NEMA250: 4 / 4X / 3R / 13
Enclosure material:	Marine grade aluminium LM6- copper free Chromated & powder coated - corrosion proof
Colour:	Red (RAL3000), Grey (RAL7038)
Cable entries:	1 x 1/2"NPT & 2 x M20x1.5mm 1 x 1/2"NPT & 2 x 1/2"NPT 1 x 1/2"NPT & 2 x 3/4"NPT
Terminals:	0.5 - 2.5mm <sup>2</sup> (20-14 AWG)
Grounding stud:	M5
Operating temp:	-40° to +70°C [-40° to +158°F]
Storage temp:	-50° to +70°C [-58° to +158°F]
Relative humidity:	90% at 20°C [68°F]
Weight:	70V line: 4.3kg/9.5lbs Low imp.: 4.0kg/8.7lbs

## Part Codes

Version:	Part code:
Product type:	D1xL1
Horn type:	F Flare reentrant horn
Type:	V070 70V Line Transformer R008 8 Ohm Low Impedance R016 16 Ohm Low Impedance
Cable Entry Type: [e]	A 1 x 1/2"NPT & 2 x M20 x 1.5mm B 1 x 1/2"NPT & 2 x 1/2"NPT C 1 x 1/2"NPT & 2 x 3/4"NPT
Adaptor/Stopping plug material: [m]	B Brass N Nickel Plated S Stainless Steel
Bracket material: [s]	1 A2 304 Stainless Steel 2 A4 316 Stainless Steel
Product version: [v]	A1 Gas environments Class I/Zone1 D1 Dust environments Class II/Zone 20
Enclosure colour: [x]	G Grey RAL7038 R Red RAL3000
Example:	D1xL1FR008 [e][m][s][v][x] D1xL1FR008AB1A1R
<b>Ratings:</b>	
A1:	Gas version
NEC / CEC:	Class I Div 1 ABCD T6 Ta -40°C to +70°C Class I Div 2 ABCD T6 Ta -40°C to +70°C Class I Zone 1 IIC T6 Ta -40°C to +70°C
D1:	Dust version
NEC / CEC:	Class II Div 1 FG T6 Ta -40°C to +70°C Class II Div 2 FG T6 Ta -40°C to +70°C Class III Div 1&2 Zone 20 IIIB Ta -40°C to +70°C