



PS1244.2

Designed for early response to slow burning, smoldering fires, the ZP730-2 is an analogue smoke sensor, developed to provide reliable sensing for most fire alarm applications. The sensors proven stability in air movement associated with air conditioning systems has made it a popular selection for modern building interiors.

Operating on light scatter principles, the ZP730-2 fully meets the sensitivity requirements of European Standard, EN 54 Pt 7 and is approved by several international approval bodies.

Installed as part of the ZP3 analogue addressable system, up to 127 sensing devices can be connected to each of the control panel loops. All loop devices incorporate switch settings enabling them to be assigned a unique address, which is polled by the panel every two seconds.

False and unwanted alarms are virtually eliminated - smoke levels are continuously sensed by the unit and transmitted via the ZP wiring loop as electronic signals, which are assessed and verified by the control panel prior to any alarm decision being taken.

Sensor sensitivity, calibration and self-test are carried out automatically by the ZP3 system. Removal or replacement of an incorrect sensing device, will be identified by the system and shown as a fault. Sophisticated auto contamination adjustment, compensates for any drift in performance due to dirt in the sensing chamber.

For ease of removal sensors plug into a range of base units by a simple twist and lock action. A site selectable option is provided to lock the sensor into its base. Once applied the unit can only be removed by means of a special tool.

A red LED indicator situated on the sensor moulding flashes to indicate when the unit is in alarm. Space for address labels is provided on sensor and base mouldings, ensuring units are replaced in their correct location and address numbers can be identified from floor level.

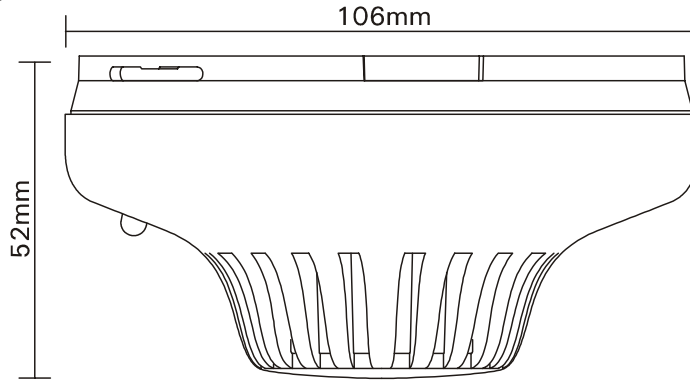


ZP730-2

Analogue Optical Smoke Sensor

- **Responds to slow burning fires**
- **Complies to EN 54 Pt7**
- **Analogue sensing - reduces false and unwanted alarms**
- **Addressable - system knows the status and location of every sensor**
- **Alarm verification, self test, auto contamination adjustment**

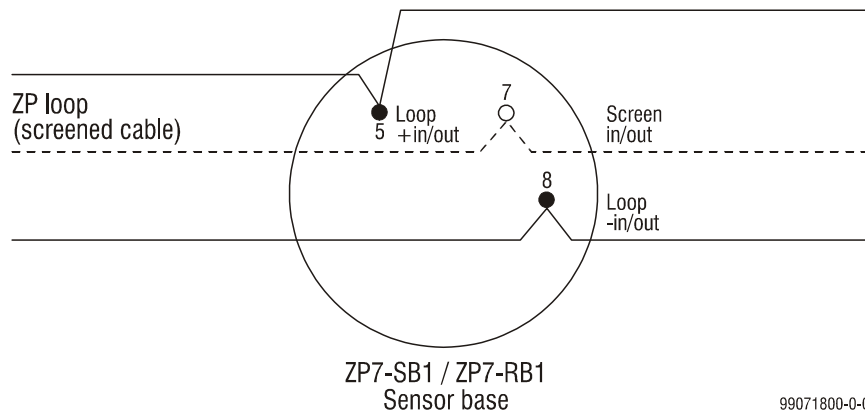
Dimensions



991520-01.cdr

Note: Dimensions shown without base.

Wiring Diagram



99071800-0-01

Note: Remote LED should be connected between terminals +2 and -3

Specification



Model No.	ZP730-2	Detection principle	Photo electric light scatter
Specification	EN54 Pt7	Environmental:	
Description	Analogue optical smoke sensor	Application	Indoor use
Sensitivity	2.3% OBS / meter	EN60529 rating	IP32
Compatibility	All ZP analogue systems	Temp range	-10°C to +75°C
Mounting	Plugs into surface or semi recessed base	Humidity range	20% to 95% RH (non condensing)
Area Coverage	100m ² , subject to local codes	EMC	CE marked (EEC89/336)
Wiring	2 core loop or spur	Construction:	
Monitoring:		Material	Moulded ABS
	Open and short circuit fault. Sensor removal and device type.	Dimensions	106mm (dia) x 52mm (h) (excluding base)
Indication	Alarm LED (red)	Height	(from ceiling with base)
Operating voltage	Address line pulsed 20V (19.5V to 20.5V). Max line less 4V		ZP7-SB1 surface base - 60mm
Current (quiescent)	600µA		ZP7-RB1 recessed based - 38mm
Current (alarm)	700µA	Colour	White
Addressing method	7 way DIP switches in head	Weight	105g (without base)

Ziton
 8 Newmarket Court Chippenham Drive Kingston Milton Keynes MK 10 0AQ United Kingdom
 Telephone +44 (0) 1908 281981 Fax +44 (0) 1908 282554 email zitonuk@ziton.spx.com

Ziton (Pty) Ltd
 Ziton House 555 Voortrekker Road Maitland 7405 PO Box 181 Maitland 7404 South Africa
 Telephone +27 (0)21 506 6000 Fax +27 (0)21 506 6100 email zitonsa@ziton.spx.com

Copyright © Ziton
 Ziton reserves the right to change specifications without notice in order to improve products or manufacturing methods. Although every effort is made to avoid errors, we reserve the right to correct typographical, photographic, clerical or printing errors.