



PS1766.1

The A60E-2 line isolator provides short circuit protection, for analogue addressable loop wiring. Isolators are connected at intervals along the length of the loop, dividing the wiring into a series of separate monitored sections.

A maximum of 16 isolator units can be connected to each loop, (to meet the requirements of EN54 Pt2) which together with isolators at the beginning and end (internal to the panel), enable a maximum of 17 monitored sections.

In the event of a short circuit, isolators disconnect only the section of cable between the two isolators, located electrically closest to the fault. Devices outside the disconnected section continue to operate normally.

Open circuit faults are automatically isolated by the control panel, which then operates from both ends running the line as two spurs and retaining full connection to all devices. Isolators do not require addresses, therefore allowing up to the full system capacity of 127 devices on each loop.

Complying with prEN54 Pt17, the A60E-2 is suitable for installation in systems to local codes requiring short circuit monitoring (for example BS5839 Pt1).

Separate terminals (2.5mm² maximum) are provided for loop in and loop out connections together with screen continuity.

Housed in low profile mouldings, the isolators are designed to clip directly onto a standard DIN rail fixing. For non DIN rail mounting, units can be installed in a 100mm x 100mm standard accessory box.

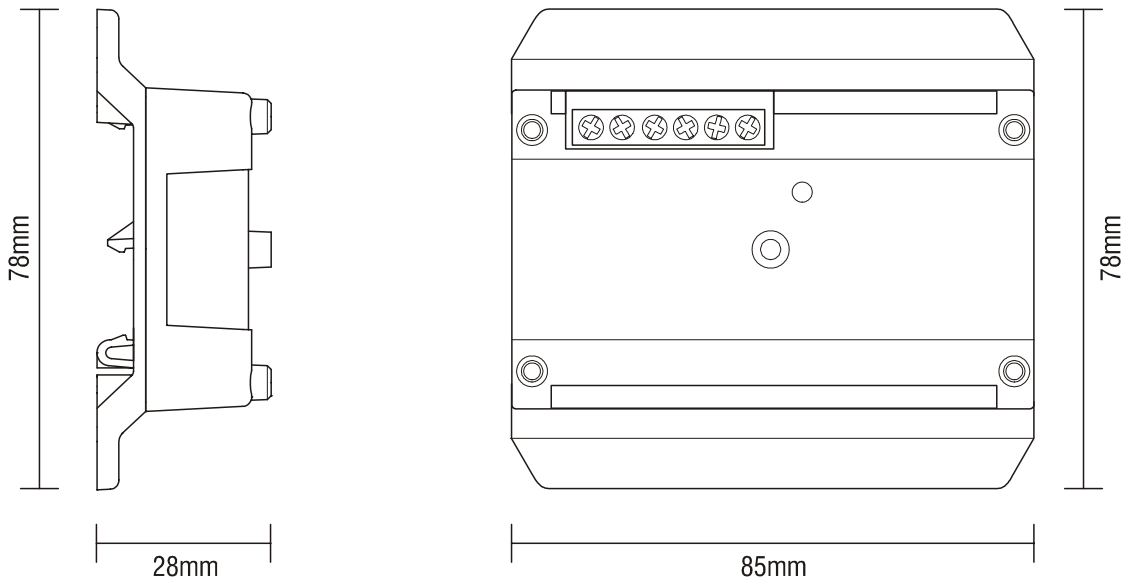


A60E-2

Line Isolator Unit

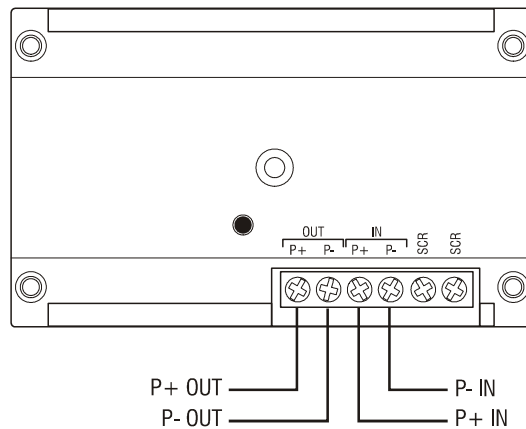
- Provides short circuit loop protection
- Complies to prEN54 Pt17
- Meets the recommendations of BS 5839 Pt1
- DIN rail mounting
- Low profile moulding

Dimensions



993070-01.cdr

Wiring Diagram



992835-01.cdr

Specification



Model No.	A60E-2
Specification	EN54 Pt17
Description	Line isolator unit
Function	Short circuit protection
Compatibility	All ZP analogue systems
Mounting	DIN rail
Wiring	2 core "Class-A" return loop Total loop = 75 ohms maximum Between isolators = 18 ohms maximum See ZP wiring guide GA 322 and product installation sheet
Monitoring:	
Loop	Short circuit protection
Indication	LED (red)
Operating voltage	Pulsed ZP loop (19.5 – 20.5V) with max 4 Volt line loss.

Current (quiescent)	600µA
Current (fault)	800µA
Addressing method	Soft addressed (does not require an address number)
Environmental:	
Application	Indoor installation
EN60529 rating	IP20
Temp range	-10°C to +75°C
Humidity range	20% to 95% RH (non condensing)
EMC	CE marked (EEC89/336)
Construction:	
Material	Moulded ABS
Dimensions	85mm (W) x 78mm (H) x 28mm (D)
Colour	White
Weight	64g

Ziton
8 Newmarket Court Chippenham Drive Kingston Milton Keynes MK 10 0AQ United Kingdom
Telephone +44 (0) 1908 281981 Fax +44 (0) 1908 282554

Ziton
Ziton House 555 Voortrekker Road Maitland 7405 PO Box 181 Maitland 7404 South Africa
Telephone +27 (0)21 506 6000 Fax +27 (0)21 506 6100

Copyright © Ziton
Ziton reserves the right to change specifications without notice in order to improve products or manufacturing methods. Although every effort is made to avoid errors, we reserve the right to correct typographical, photographic, clerical or printing errors.