



PS1761.1

The A50E-2 is an addressable relay providing single pole, volt free, change over contacts. The unit is intended for installation within the equipment to be switched, thereby offering savings in installation costs when compared to long, auxiliary circuit, wiring runs out from the control panel.

Complying with Pr EN54 Part 18, the relay can be located anywhere on the two core ZP loop and is designed for power up or shut down of building services, for example air conditioning plant, in fire conditions.

The unit is ideal for the control of associated system equipment such as door release circuits, or the emergency shutdown of high risk services, for instance gas or oil supply valves in boiler rooms.

The relay can be programmed to be activated by any single device, groups of devices or all system devices. All types of system input signals can be arranged to operate the A50E-2, which can include control panel indicators, zonal outputs, callpoints or sensors.

Housed in low profile mouldings, the relays are designed to clip directly onto a standard DIN rail fixing. For non DIN rail mounting, units can be installed in a 100mm x 100mm standard accessory box.

A red LED indicator positioned on the front moulding flashes when the interface contacts have operated.

Installed as part of an analogue addressable system, up to 127 line devices (sensors, callpoints or interface units) can be connected to each of the control panel loops. All loop devices incorporate switch settings enabling them to be assigned a unique address, which is polled by the panel every two seconds.

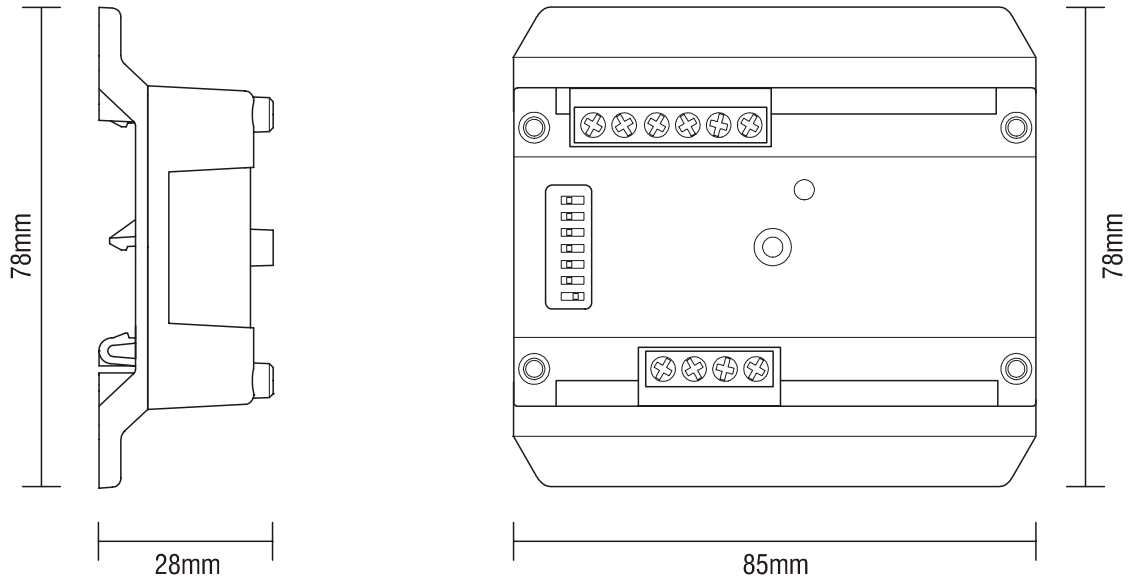


A50E-2

Addressable Line Relay Module

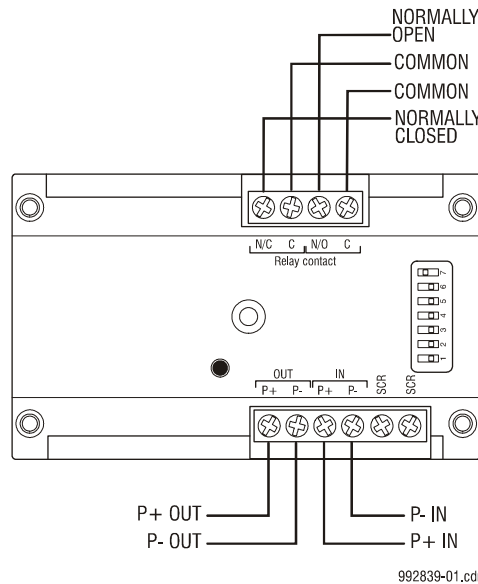
- **Addressable interface unit**
- **Complies with Pr EN54 Part 18**
- **DIN rail mounted**
- **Loop wired – adjacent to equipment to be switched**
- **Operated from any combination of input addresses**
- **Volt free change over contacts**

Dimensions



993069-01.cdr

Wiring Diagram



992839-01.cdr

Note: The output is a single, change over relay contact; both 'c' terminals are common.

Specification



Model No.	A50E-2
Description	Addressable relay module
Compatibility	All ZP analogue addressable systems
Mounting	DIN rail
Wiring	2 core loop
Operating voltage	Pulsed ZP loop (19.5 – 20.5V) with max 4 Volt line loss.
Current consumption	Standby 600 μ A at 24Vdc Alarm 700 μ A at 24Vdc
Relay contacts	Single pole, change over
Max switching current	1.0 Amps
Max switching voltage	30Vdc
Indication	LED (red) flashing on operation.

Environmental:	
Application	Indoor use
EN60529 rating	IP20
Temp range	-10°C to +75°C
Humidity range	20% to 95% RH (non condensing)
EMC	CE marked (EEC89/336)
Construction:	
Material	Moulded ABS
Dimensions	85mm (W) x 78mm (H) x 28mm (D)
Colour	White
Weight	67g

Ziton
 8 Newmarket Court Chippenham Drive Kingston Milton Keynes MK 10 0AQ United Kingdom
 Telephone +44 (0) 1908 281981 Fax +44 (0) 1908 282554

Ziton
 Ziton House 555 Voortrekker Road Maitland 7405 PO Box 181 Maitland 7404 South Africa
 Telephone +27 (0)21 506 6000 Fax +27 (0)21 506 6100

Copyright © Ziton
 Ziton reserves the right to change specifications without notice in order to improve products or manufacturing methods. Although every effort is made to avoid errors, we reserve the right to correct typographical, photographic, clerical or printing errors.