



PS1306.2

The ZP755W is an addressable, weatherproof sounder, designed for use on ZP analogue addressable fire detection and alarm systems. The sounder has been developed for outdoor applications, or for use in areas where the ingress of water can be expected, for example where hygiene requirements demand regular washing or hosing down of the protected area.

Installed directly onto and powered by the ZP wiring loop, the ZP755 range enables the system designer to offer a complete ZP analogue addressable system on a single pair of wires. Installation costs are greatly reduced, whilst system integrity, sounder options and programmed alarm organisation are significantly increased.

The units high efficiency acoustic design, together with a low energy, 'sound gun' transducer, provides a forward sound dispersion with an output of 105 dBA. A volume control is included for areas where a reduced sound output is required. The control can be set to limit the sound output by up to 75% of the full volume.

The ZP755 range features a unique self test facility - automatically activated during routine sounder testing. A built in microphone circuit measures sound output level and automatically signals the sounder address and location to the control panel, should volume fall below the expected test level.

In systems where loop lengths or current requirements are excessive, ZP755 sounders can be powered directly from an external power supply. All ZP755 sounders incorporate switch settings enabling them to be assigned a unique address, which is polled by the panel every two seconds

Continuous, intermittent and two-tone outputs are available, from which any combination can be chosen to provide alert and evacuate, two stage alarms. All sound types comply with BS 5839 Part 1 recommended frequencies.

Sounder enclosures are of moulded, high impact, red or grey thermoplastic, designed for surface wiring.

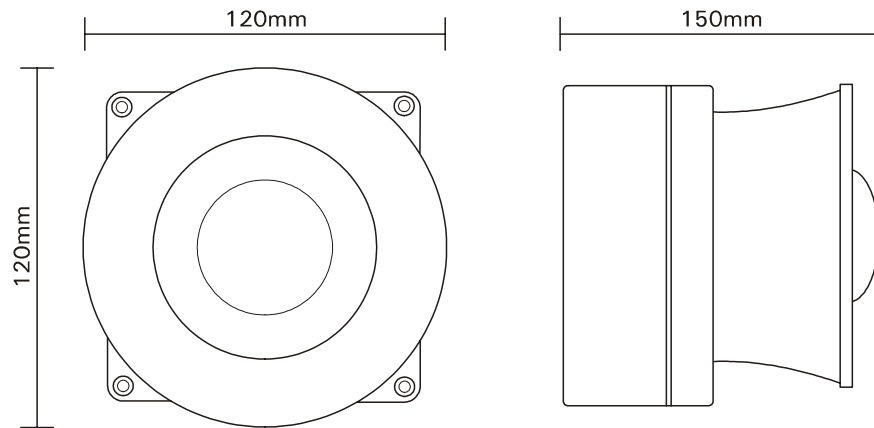


ZP755W

Addressable Weatherproof Sounder

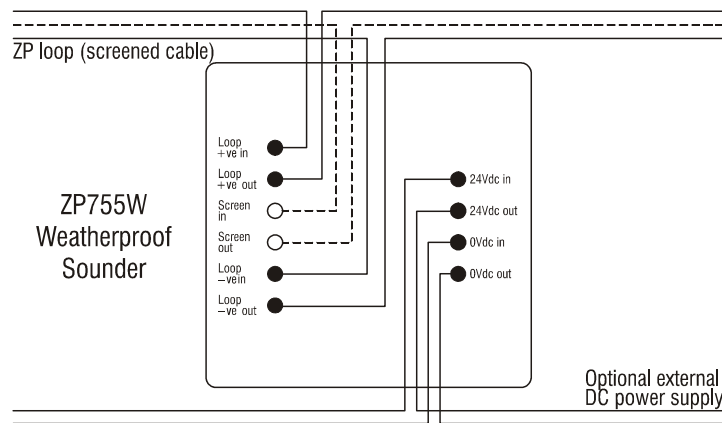
- **Rated IP 65**
- **105 dBA sound output**
- **Microphone self test facility**
- **High efficiency sound gun transducer**

Dimensions



990984-01.cdr

Wiring Diagram



990983-01.cdr

Specification



Model No.	ZP755W-R	Operating voltage	16 – 24 volts DC
Specification	EN54 Part 3	Current (quiescent)	600 uA
Description	Addressable weatherproof sounder, red	Current (active)	5.0 mA
Compatibility	All ZP analogue addressable systems Note: sound options may vary for ZP5 and ZP3 systems with early software versions	Max number	85 per 1km loop (subject to cable size and sounder spacing)
Addressing method	7 way dip switch	Environmental:	
Mounting	Surface mounting	Application	Indoor use
Wiring	2 core wiring	EN60529 rating	IP65
Monitoring:		Temp range	-10°C to +70°C
	ZP Loop-open and short circuit fault sound output level - self test facility	Humidity range	10% to 95% RH (non condensing)
Sound output	Tone 1 - continuous 980Hz Tone 2 - intermittent 980Hz (0-5secs on/off) Tone 3 - two tone warble 980Hz/670Hz	EMC	CE marked (EEC89/336)
Sound level (at 1m)	105 dBA	Construction:	
Sound distribution	Narrow	Material	Moulded thermoplastic
		Dimensions	120 mm (W) x 120 mm (H) x 150 mm (D)
		Colour	Red or grey
		Weight	300g

Ziton
 8 Newmarket Court Chippenham Drive Kingston Milton Keynes MK 10 0AQ United Kingdom
 Telephone +44 (0) 1908 281981 Fax +44 (0) 1908 282554 email zitonuk@ziton.spx.com

Ziton (Pty) Ltd
 Ziton House 555 Voortrekker Road Maitland 7405 PO Box 181 Maitland 7404 South Africa
 Telephone +27 (0)21 506 6000 Fax +27 (0)21 506 6100 email zitonza@ziton.spx.com

Copyright © Ziton
 Ziton reserves the right to change specifications without notice in order to improve products or manufacturing methods. Although every effort is made to avoid errors, we reserve the right to correct typographical, photographic, clerical or printing errors.